



Santa Cruz de la Sierra  
10 de julio de 2024

## Certificación de Especificaciones Técnicas

A quien corresponda:

Nosotros, OSKO INC, certificamos que el equipo "XRA 2234S034", comercializado por Mediglobe Insumos SRL, cumple con las especificaciones técnicas adjuntas al presente documento. Asimismo, confirmamos que dichos equipos son nuevos y cuentan con nuestro respaldo. Los componentes incluidos en estos equipos son:

- XR5 50kW
- Detector Inalámbrico 1717WCC (CsI)
- PC Dell Optiplex (con software de control Xmaru Pro)

Estamos comprometidos a ofrecer productos de la más alta calidad y proporcionar soporte técnico constante para garantizar la plena satisfacción de nuestros clientes.

Atentamente,

OSKO INC

A handwritten signature in black ink, appearing to read "Michel Galan", is written over a horizontal line.

Departamento Técnico  
Michel Galan

Confidential

# XR5

## NEW GENERATION DIGITAL RADIOGRAPHY SYSTEM



The XR5 is a floor-mounted digital radiography system with an integrated tube/wall stand. Its cost-effective, space-saving and workflow optimized design based on new generation DR technology makes it ideal for everyday imaging needs. It comes with user-friendly AI-based software capabilities, state-of-the-art detector technology and a unique image stitching feature based on advanced anatomy recognizing algorithms, producing excellent image quality at low radiation dose.

**Floor Mounted Tube Stand**

Rail length	91.18 in (2316 mm)
Tube stand longitudinal travel	78.74 in (2000 mm)
Tube head forward/backward travel	±4.72 in (±120 mm)
Tube vertical travel	58.2 in (1480 mm)
Tube head rotation	±135°
Tube stand rotation	± 90°
Operation control screen panel	Touch screen LCD Panel
Operation control screen panel size	4.25 in (108 mm)
Tube head minimum height	15.75 in (400 mm)
Tube head maximum height	74.40 in (1890 mm)
Tube stand total height	76.30 in (1940 mm)
Power requirements	24 VAC, 3A



**Patient Table**

Elevating 4-way floating

Table height	20.27 in (515 mm) to 32.08 in (815 mm)
Patient load capacity	661 lbs (300 kg)
Longitudinal tabletop movement	22.80 in (580 mm)
Transversal tabletop movement	8.26 in (210 mm)
Total bucky travel	28.58 in (726 mm)
Tabletop length	86.61 in (2200 mm)
Tabletop width	31.73 in (806 mm)
Bucky type	<ul style="list-style-type: none"> <li>· Cassee tray with moving reciproca ng grid</li> <li>· DR bucky for 17"x17" fixed detector</li> <li>· Charging bucky for 17"x17" wireless detector</li> </ul>
Grid & Grid Cabinet	103LPI, 215L, 230LPI, 10:1 ratio, Grid Cabinet-17"x17"
Power requirements	100-240 VAC 50/60 Hz

**Wall Bucky Stand**

Bucky minimum height	15.75 in (400 mm)
Bucky maximum height	74.40 in (1890 mm)
Bucky ver cal movement	58.66 in (1490 mm)
Wall stand total height	78.07 in (1983 mm)
Bucky type	<ul style="list-style-type: none"> <li>· Cassee tray with moving reciproca ng grid</li> <li>· DR bucky for 17"x17" fixed detector</li> <li>· Charging bucky for 17"x17" wireless detector</li> </ul>
Grid & Grid Cabinet	103LPI, 215L, 230LPI, 10:1 ratio, Grid Cabinet-17"x17"
Power requirements	24 VAC, 1A



**High Frequency Generator**

Output Power	50 kW
Max, high Frequency Output	450 kHz
Input Voltage	3 Ø, 230 VAC

kV Range	40 to 150 kVp
kV Steps	1 kVp
kV accuracy	±5 % +1 kV
Time Range	1 to 6300 ms
mAs Range	0.1 to 630 mAs
mAs Accuracy	±(10% +0.2) mAs
mA Range	10 to 630 mA
Line Frequency	50 / 60 Hz

**X-Ray Tube**

Tube voltage	40 to 150 kVp
Maximum tube current	S/F: 400mA, L/F: 1000mA
Anode Heat Storage Capacity	300 kHU (210 kJ)
Target Angle	12°
Focal Spot	0.6 / 1.2 mm

**Collimator**

Type	Manual
Max. Operaon Voltage	150 kVp
Rotation	± 90°
Max. Field Size	43 x 43 cm @ 100 cm
Light Protection	>160 lux @ 100 cm
Light Source	LED Lamp
Auto Lamp Timer	Push button 30 sec
Inherent Filtration	1.2 mm Al
Linear laser beam(option)	Available

**Acquisition Workstation with monitor**

CPU	Intel Core i5
Memory	16 GB RAM
HDD	1 TB
Operation Software	Microsoft Windows 10 Pro
Monitor	23.8" Full HD Monitor (1920 x 1080)



**Flat Panel Detectors**

Model name	1717WCC
Detection area	17 X 17 in
Dimensions	460 X 460 X 15 mm
Active area	430.1 X 430.1 mm
Scintillator	CsI, Cesium-Iodide
AED	Yes
Pixel matrix	3072 X 3072 pixels
Pixel pitch	140 µm
A/D conversion	14 / 16 bits
Resolution	3.57 lp/mm
Energy range	40 – 150 kV
Image storage capability	Up to 1500 images
Preview image time	<2.0 sec (2x2 binning)
Data Transfer	802.11 AC Wireless LAN (up to 867Mbps) or 1Gbps Ethernet
Wireless antennas	3 EA
Weight	7.7 lbs. (3.5 kg)
Water and dust resistant	IP66
Drop tested	47.2 in (1.2 m)
Battery operation time	Typ. 4 hours

**Xmaru Pro Image Acquisition Software Features**

- Medical Specific Exposure Exam List
- DICOM Modality Worklist, DICOM Storage, DICOM Send, DICOM Print
- Enhanced image processing parameters with Digital Exposure Index
- Analysis Statistics Report : tracks image acceptance, rejections, retakes, and deletion
- DICOM Store, Print and Modality Worklist
- Annotations including Text, Distance, Measurements, Angles, Electronic Markers
- Basic security features - customized technologist log in/log out & user
- Wireless signal on wireless panel, Detector battery indicator
- Comparison Mode - Click and drag images to view them side by side

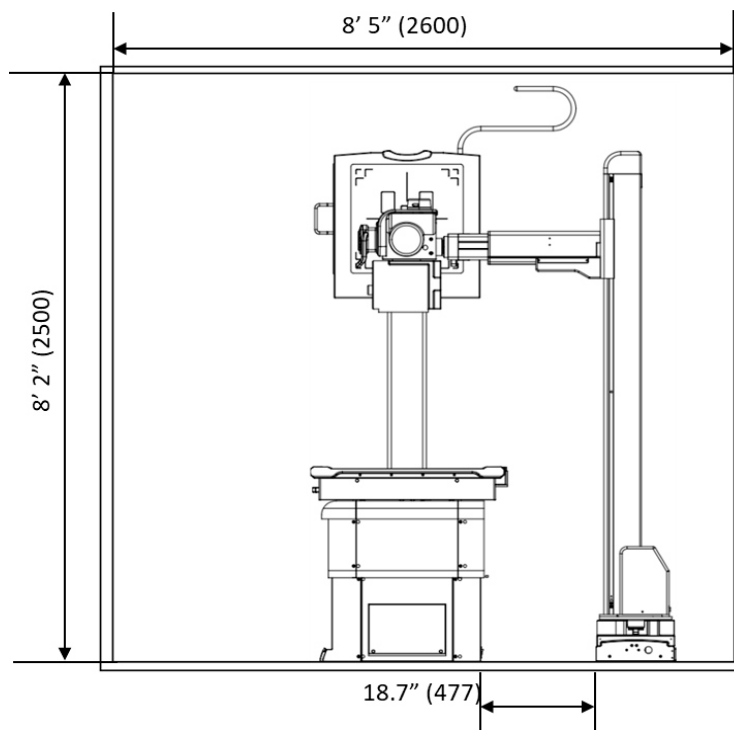
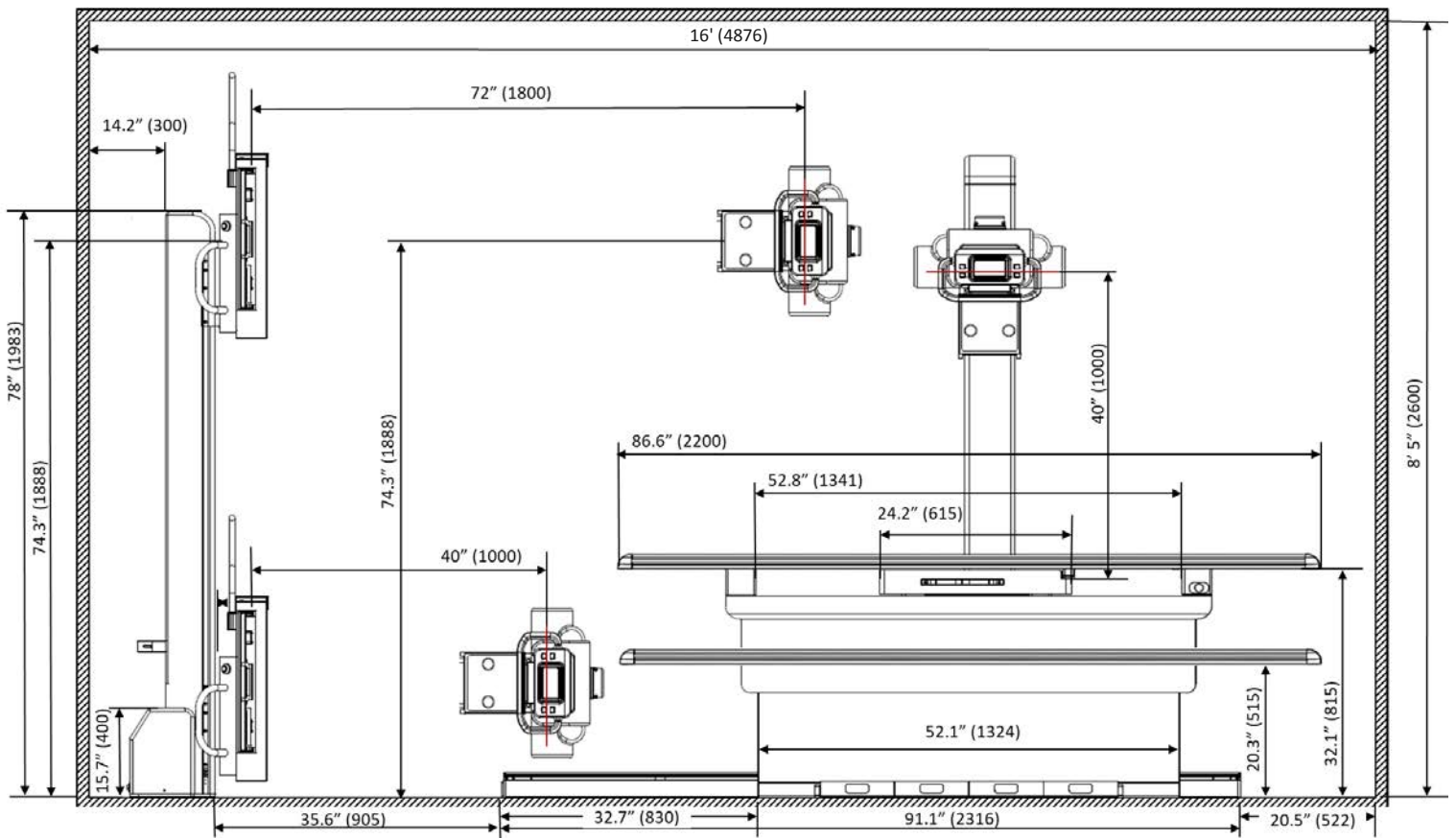
**Operation Environment**

Ambient temperature	10°C - 40°C
Recommended room temperature	22°C - 26°C
Relave air humidity	30% ~ 75%, non-condensing



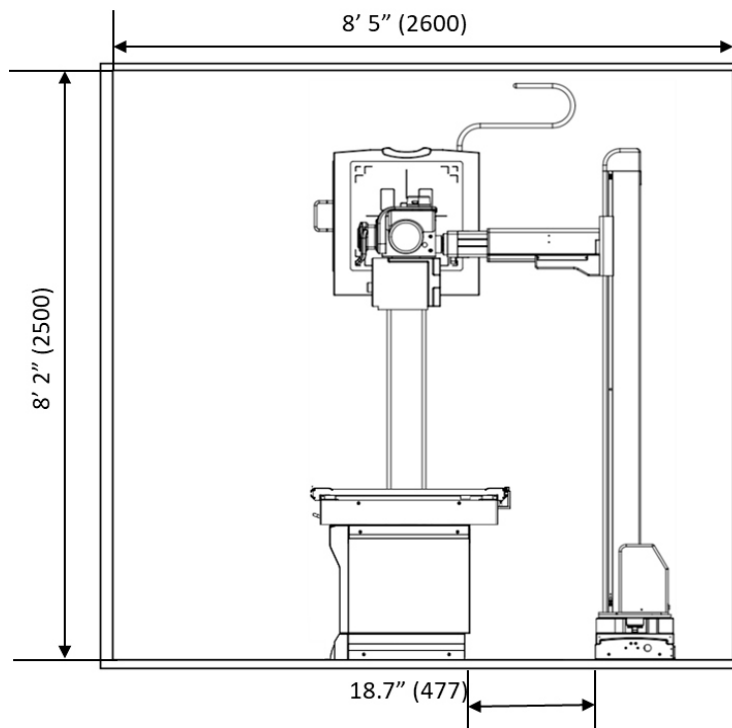
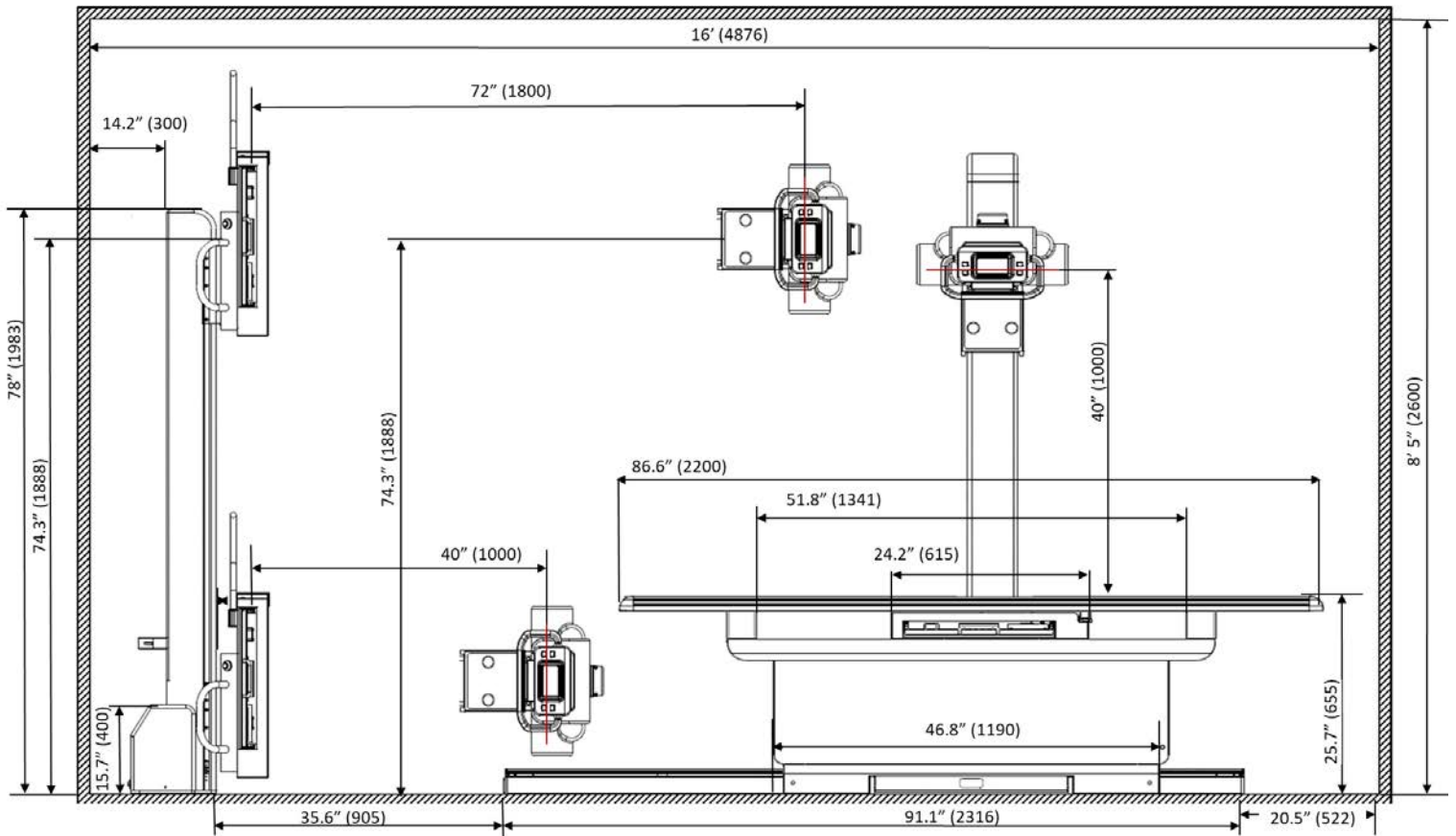
Dimensions ( *Elevating 4-way Floating Table System* )

Unit: inches (mm)



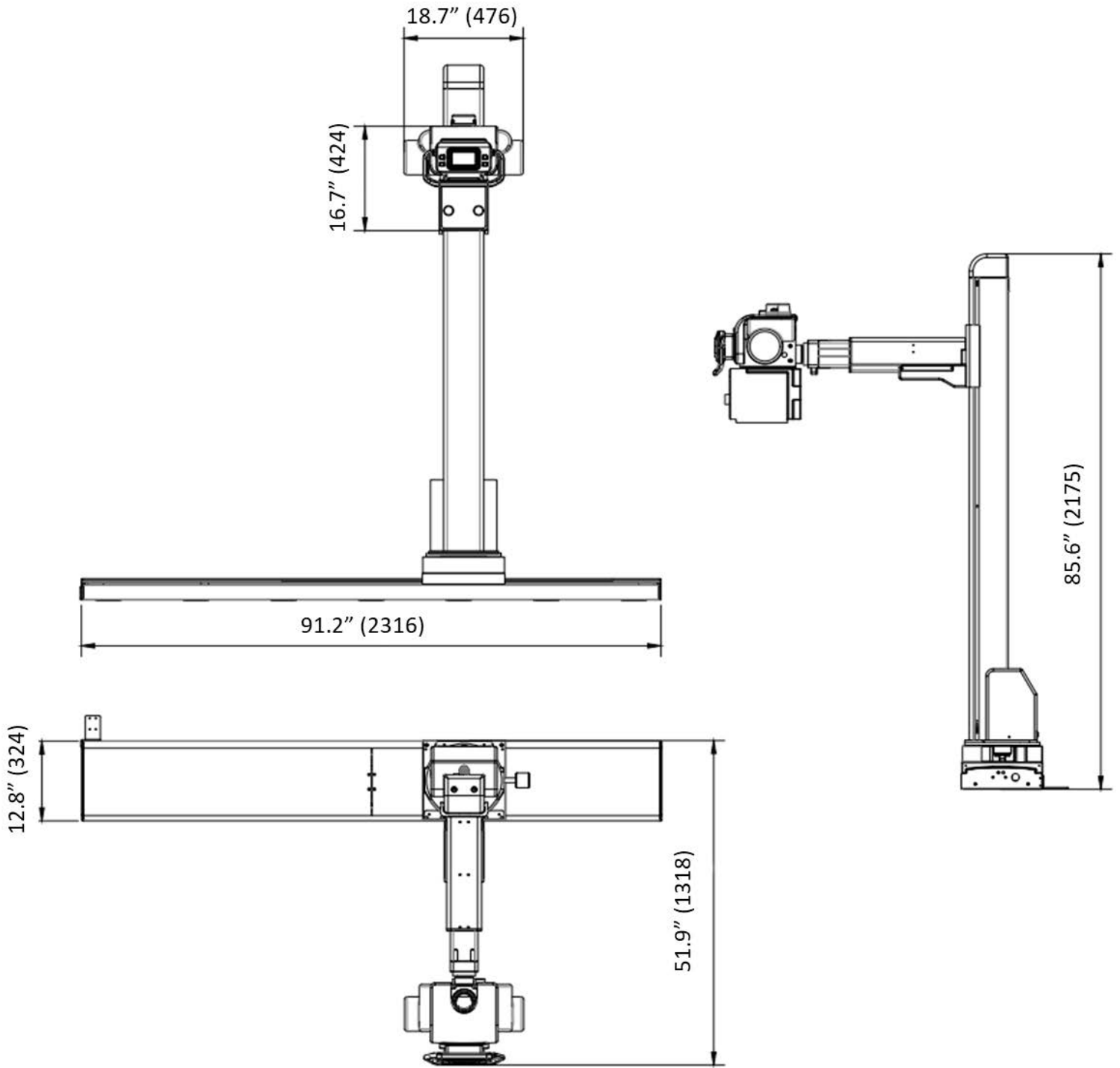
Dimensions ( *Fixed height 4-way Floating Table System* )

Unit: inches (mm)



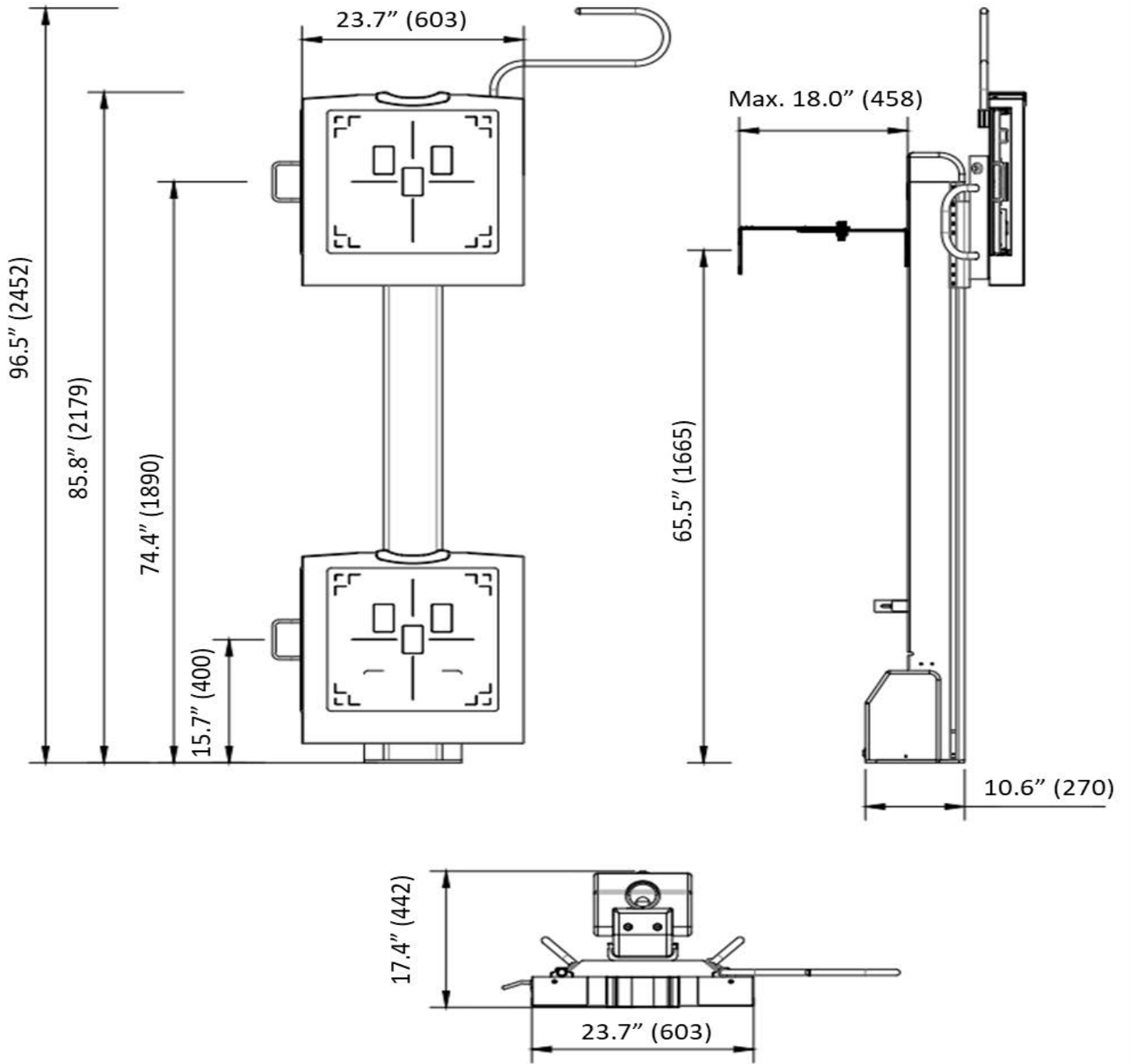
Dimensions

Unit: inches (mm)



Dimensions

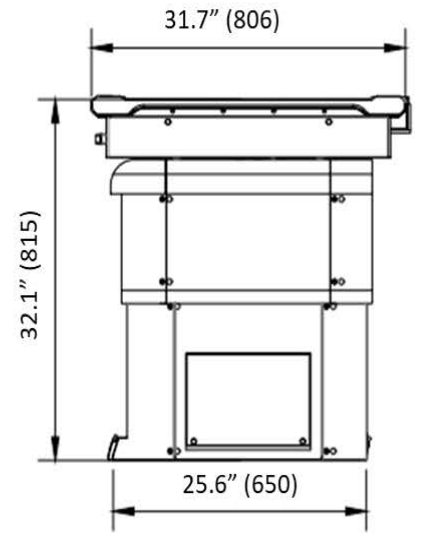
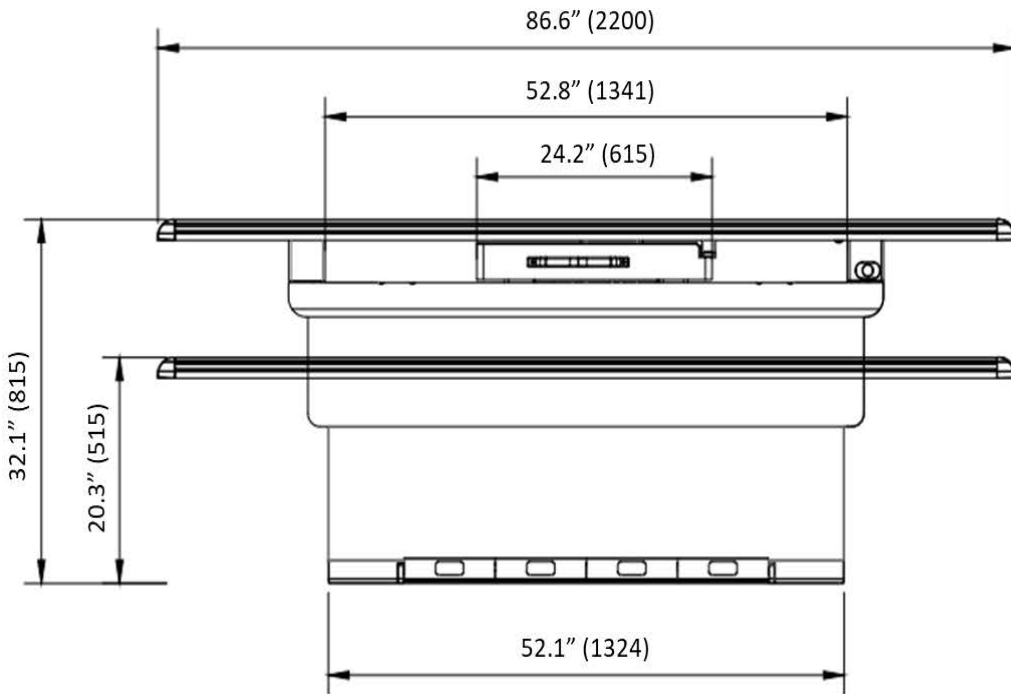
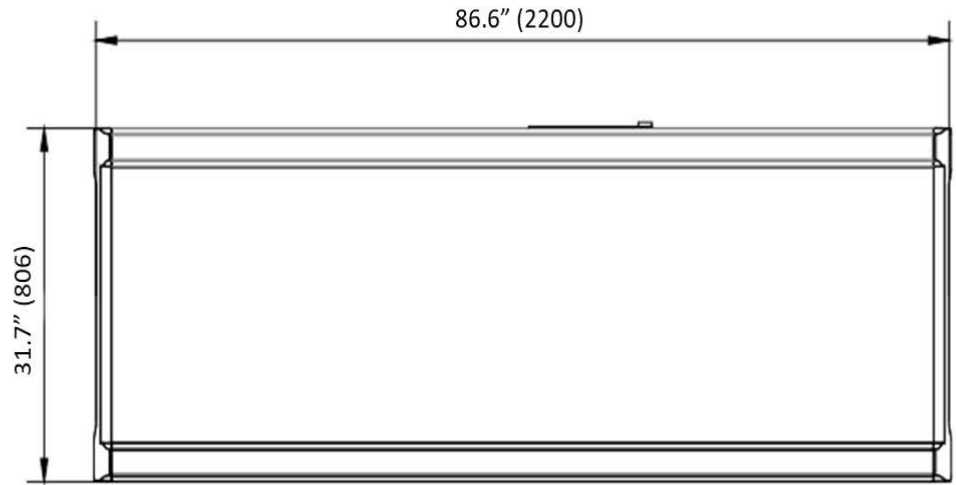
Unit: inches (mm)





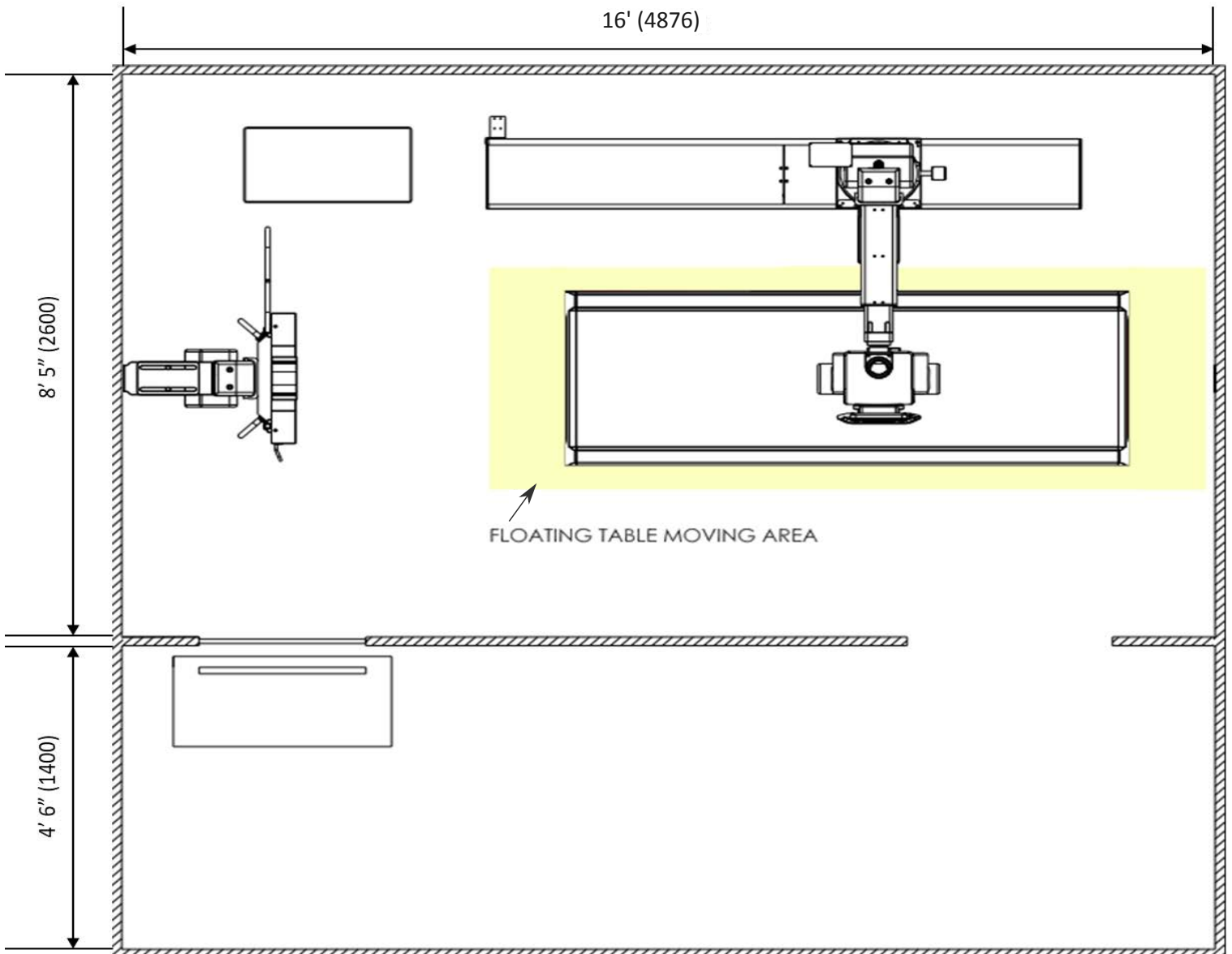
Dimensions ( *Elevating 4-way Floating Patient Table* )

Unit: inches (mm)

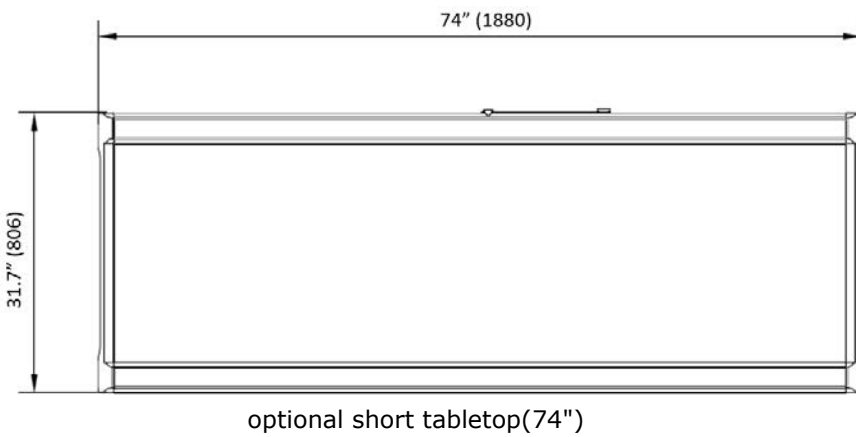


Top View Recommended Room Layout (*Standard Tabletop*)

Unit: Feet (mm)



If you order the optional short tabletop(74"), the Rad room is 14'-9" wide enough to install and use the system.



For a Minimum Rad Room Size, some mechanical parts can be customized.

